



**Brüel & Kjær Vibro**

# Product Information

Brüel & Kjær Vibro Data:

**BKV Type:**            **AC-1405 (Straight version)**  
                              **AC-1406 (Angled version)**

**DESCRIPTION:**    **M12 OVERMOLDED (A-CODE) SHIELDED  
                              POLYURETHANE CABLE ASSEMBLY  
                              (Straight and angled versions)**

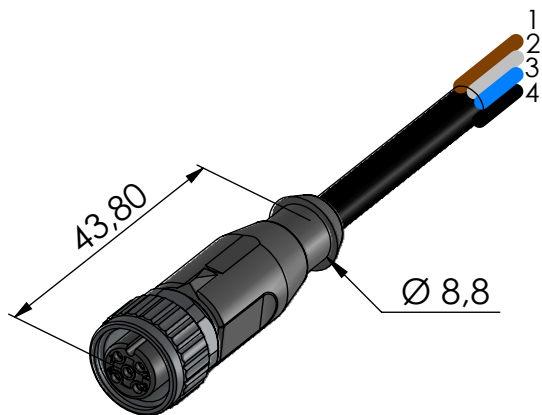
Original Equipment Manufacturer Data:

## VibraSens France

**OEM**            **10.01-A01-E01-31-LL (Straight version)**  
**Type:**        **10.01-A01-E31-31-LL (Angled version)**

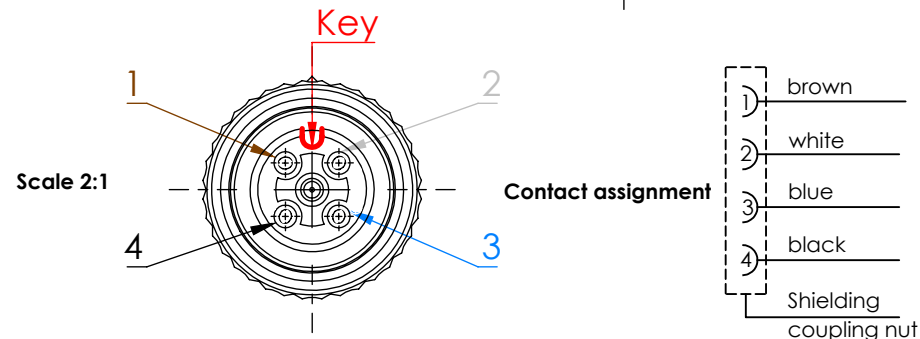
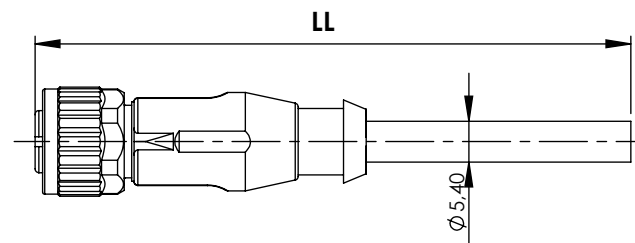


For further Information please contact: [www.vibrasens.com](http://www.vibrasens.com)



**Installation specification**

Recommended torque: 0,6 Nm



**M12 specifications:**

**Cable**

Standing: 4-core  
 Wire configuration: Brown-white-blue-black  
 Foliation: PET screen  
 Screen: CU conductor: 0.10 V2  
 Lacket: TPE-U(PUR) Ø5,4+/-0,20mm

**Electrical parameters**

Operating voltage: ≤ 300V  
 Lead resistor: max 58Ω/km (20°C)  
 Specific volume resistance: ≥10<sup>16</sup>Ω.cm (20°C)

**Mechanical parameters**

Acceptable temperature range: -25/+80°C  
 Cable weight: ca.43kg/km

**Material specific features**

Halogen free according to: DN VDE 0472 part 815  
 Flame-retardant according to: cULus 20549

**Cable technical specifications:**

**Technical specification**

Rated voltage: 4 pos 160V  
 IEC 61076-2-101  
 Insulation resistance: ≥= 100MΩ  
 IEC60512  
 Pollution degree: 3/2  
 IEC 60664-1  
 Degree of protection: IP 67, in mated condition  
 IEC 60529  
 Temperature range: -30°C/+80°C  
 IEC 6664-1  
 Mating cycles: ≥=100  
 IEC 60512-9a

**Materials**

Contact plating: Nickel, gold plated  
 Sealing: FPM  
 Coupling nut: GD-Zn, nickel plated  
 Moulding body: TPU, UL94, grey

	Size: A4H	Rev:A
	FSCM :- - - -	

**M12 Overmolded Cable assembly**

PNR, Drawing N° 10.01-A01-E01-31-LL  
 Scale 1:1  
 Sheet 1/1

General Tolerances : ISO 2768 fH  
 Break sharp edges 0.05 to 0.1  
 Ra  $\frac{0.8}{\sqrt{}}$  all machined surfaces  
 This drawing is confidential and is the property of Vibrasens. Reproduction or manufacturing rights granted by written permission only.