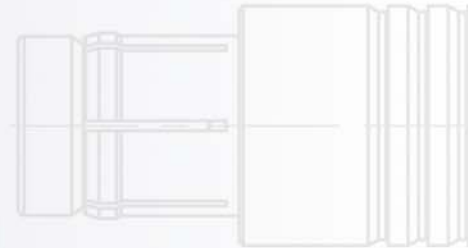
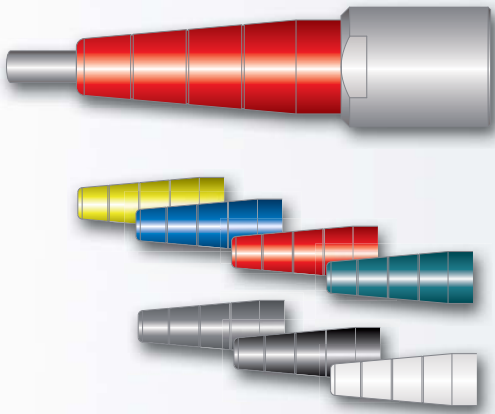


11 Accessories



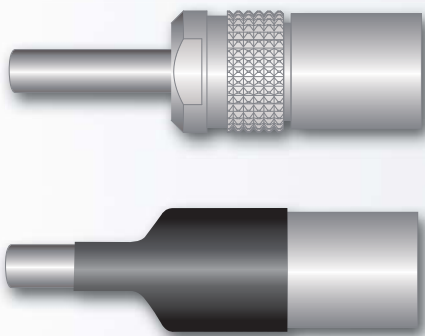
Cable Mounted Plugs and Receptacles

Cable Bend Reliefs for an Increased Protection of your Connections 11-2



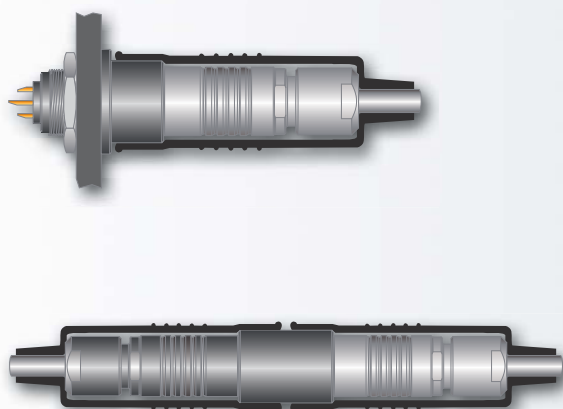
- Suitable for:
 - Cable Mounted Plugs (S/SC, SOV, SA, SV, WSO)
 - Cable Mounted Receptacles (K/KE)
 - Panel Mounted Cable Receptacles (DKBE, DK, DKE)
- Prevent cable torsion and increase protection of connection
- Color coding for easy identification when combined with color washer of panel mounted connector

Knurled Clamp Nuts for Resistant Heat Shrinking 11-2



- Suitable for:
 - Cable Mounted Plugs (S/SC, SOV, SA, SV, WSO)
 - Cable Mounted Receptacles (K/KE)
 - Panel Mounted Cable Receptacles (DKBE, DK, DKE)
- Give a good grip to a shrinkable tube acting as cable bend relief

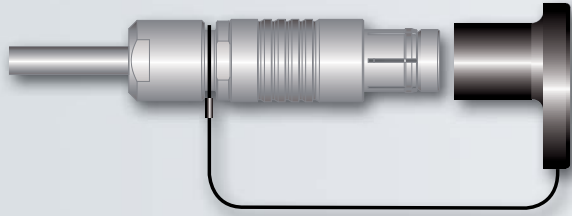
Protective Sleeves for Improved Protection 11-3



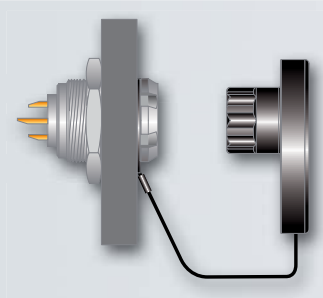
- Suitable for:
 - Cable Mounted Plugs (S/SC, SOV)
 - Cable Mounted Receptacles (K/KE)
- Protect against any foreign matter:
 - Dust, dirt or mud
 - Liquid splash
- Minimize mechanical damage from impact on hard surfaces
- When mated, the front end of the protective sleeve encloses the projecting portion of the receptacle
- Connectors can additionally be protected with sealing caps while unmated

Plugs and Receptacles

Sealing Caps for Protection of Unmated Connectors in the Field 11-4



- Suitable for:
 - Cable Mounted Plugs (S/SC, SOV, SA, SV, SS/SSC, WSO)
 - Cable Mounted Receptacles (K/KE, KS/KSE)



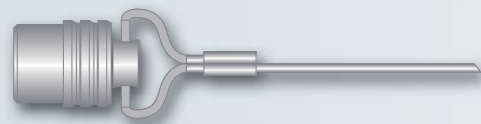
- Suitable for:
 - Panel Mounted Receptacles (D, DEU/E, DBEU/E, DBP, DBPU/E, DBPLU/E, DG/DGP, DBPC, WDE)
 - Panel Mounted Plugs (SF, SFU/E, SFPU/E)
 - Panel Mounted Cable Receptacles (DKBE, DK, DKE)

Soft Caps 11-4



- Lightweight
- Noiseless operation
- Operating temperature – 55°C to + 85 °C
- IP68
- Easily installed
- Available in single-piece or lanyard model
- Caps are intermateable to provide additional dust protection

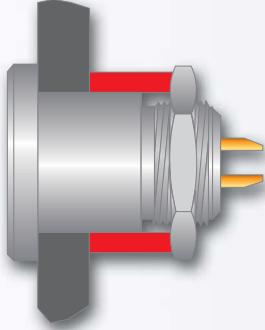
Metal Caps 11-4-4



- Rugged
- Fitted with an o-ring seal
- Protect & seal the mating face of the connector
- IP68
- Easily installed

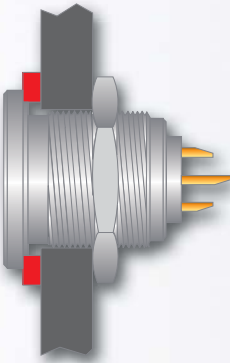
Panel Mounted Plugs and Receptacles

Spacers to Allow Mounting on all Panels 11-5

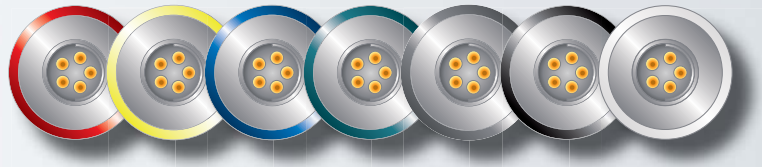


- Suitable for:
 - Feedthrough (WDE)
 - Panel Mounted Receptacles (DEE, DEU, DKE)
- Permit mounting on panels or bulkheads thinner than the unthreaded section

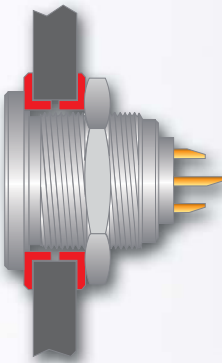
Color Coding Washers for Easy Connector Identification 11-6



- Suitable for:
 - Panel Mounted Receptacles (D, DB, DBP, DBPC, DG, DGP, DK)
 - Panel Mounted Plug (SF)
- Can be mounted between the connector flange and the panel
- Color coding for easy identification when combined with cable bend relief for cable mounted connectors
- Not suitable for sealed version



Insulating & Color Coding Washers for Easy Connector Identification and Efficient Insulation 11-6

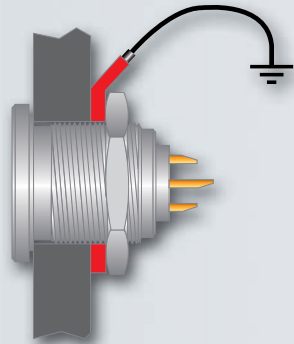


- Suitable for:
 - Panel Mounted Receptacle (D)
- Can be mounted on both sides of the panel cut-out
- Color coding for easy identification when combined with cable bend relief for cable mounted connectors
- Isolate the connector body electrically from the panel
- Not suitable for sealed version

Panel Mounted Plugs and Receptacles

Grounding Washer

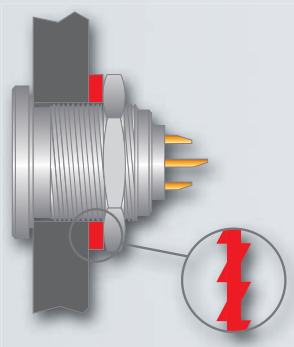
11-6-1



- Suitable for Panel Mounted Connectors

Locking Washer

11-6-1

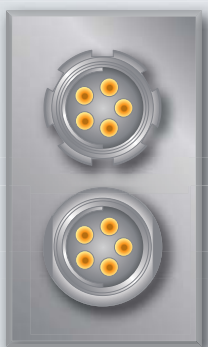


- Suitable for Panel Mounted Connectors

Mounting Nuts for Perfect Connector Grip

11-7

Front



- Decorative slotted nuts supplied for:
Rear Mounted Panel Receptacles (DBP, DBPC, DBPE, DBPU, DG, DGP)
- Decorative nuts supplied for:
Panel Mounted Receptacles (DKBE, DBPLU/E, SFPU/E)
Panel Mounted Plugs (SFPU/E)

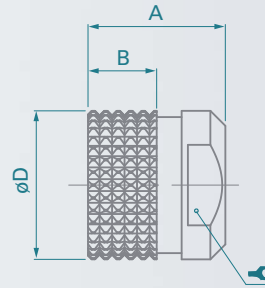
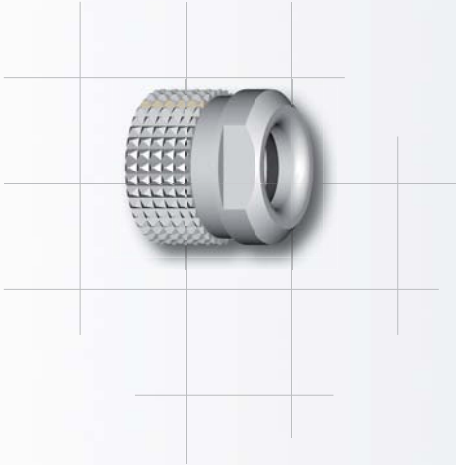
Rear



- Hex nuts supplied for:
Front Mounted Panel Receptacles
Rear Mounted Panel Receptacles (DG, DGP)
- Slotted nuts supplied for:
Panel Mounted Connectors for 106 & 107 Series

Dimensions

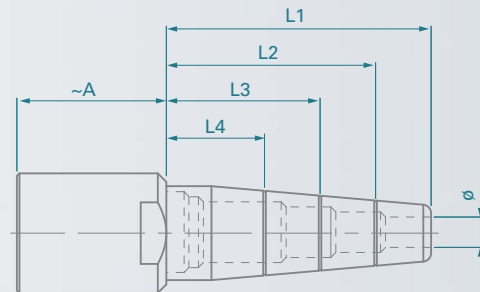
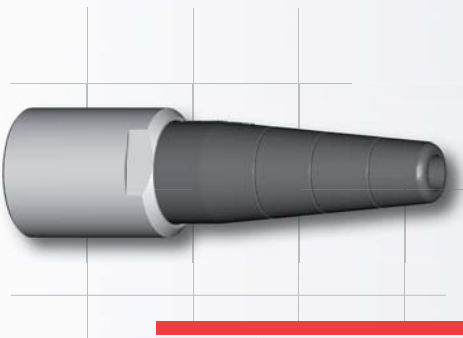
■ Knurled Clamp Nuts



Series	A	B	D	⌘	Part Number
102	6	3.0	9	7	102.1869
103	11	5.5	12	10	103.2092
1031	12	5.5	13	12	1031.248
104	11	5.5	15	12	104.2103
105	14	7.5	18	15	105.2626

Material - Nickel and chromium plated brass (ISO CuZn39Pb3)

■ Cable Bend Reliefs



Series ¹⁾	Cable ø Range	Length	A
102	1.5 - 3.4	L1 = 21	10
	3.5 - 4.5	L1 = 21	
103	3.0 - 4.0	L1 = 26	17
	4.0 - 5.0	L2 = 21	
	5.0 - 6.2	L3 = 16	
1031	3.0 - 4.0	L1 = 26	18
	4.0 - 5.0	L2 = 21	
	5.0 - 6.5	L3 = 16	

Series ¹⁾	Cable ø Range	Length	A
104	4.0 - 5.0	L1 = 31	18
	5.0 - 6.5	L2 = 25	
	6.0 - 7.5	L3 = 18	
105	4.0 - 5.0	L1 = 37	21
	5.5 - 6.5	L2 = 31	
	7.0 - 8.5	L3 = 24	
	8.5 - 10.5	L4 = 18	

¹⁾ For the 102 Series cable bend reliefs are designed specifically for a given cable ø range.
For other Series cable bend reliefs have to be cut to length L1, L2, L3 or L4 to fit your cable ø range.

Material
Clamp nut: Nickel and chromium plated brass (ISO CuZn39Pb3)
Bend relief: TPE (Thermoplastic elastomer)

These cable bend reliefs cannot be assembled with the clamp nuts supplied with the standard connectors. Therefore, the cable bend reliefs are supplied as sub-assemblies.

Part Numbers

■ Natural Chrome Connectors

Series ¹⁾	Cable \varnothing Range	Bend Relief Color			
		White	Black	Green	Blue
102	1.5 - 3.4	-	E4 102.190.2	E4 102.190.3	E4 102.190.4
	3.5 - 4.5	-	E4 102.192.2	E4 102.192.3	E4 102.192.4
103	3.0 - 6.2	E4 103.190.1	E4 102.190.2	E4 103.190.3	E4 103.190.4
1031	3.0 - 6.5	E4 1031.190.1	E4 1031.190.2	E4 1031.190.3	E4 1031.190.4
104	4.0 - 7.5	E4 104.190.1	E4 104.190.2	E4 104.190.3	E4 104.190.4
105	4.0 - 10.5	E4 105.190.1	E4 105.190.2	E4 105.190.3	E4 105.190.4

Series ¹⁾	Cable \varnothing Range	Bend Relief Color		
		Yellow	Red	Grey
102	1.5 - 3.4	E4 102.190.5	E4 102.190.6	E4 102.190.7
	3.5 - 4.5	E4 102.192.5	E4 102.192.6	E4 102.192.7
103	3.0 - 6.2	E4 103.190.5	E4 103.190.6	E4 103.190.7
1031	3.0 - 6.5	E4 1031.190.5	E4 1031.190.6	E4 1031.190.7
104	4.0 - 7.5	E4 104.190.5	E4 104.190.6	E4 104.190.7
105	4.0 - 10.5	E4 105.190.5	E4 105.190.6	E4 105.190.7

■ Black Chrome Connectors

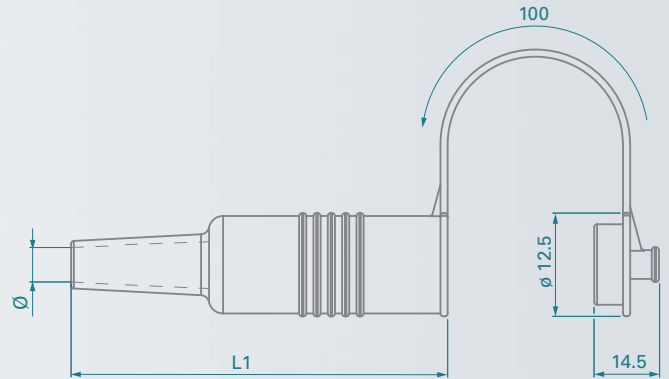
Series ¹⁾	Cable \varnothing Range	Bend Relief Color			
		White	Black	Green	Blue
102	1.5 - 3.4	-	E4 102.191.2	E4 102.191.3	E4 102.191.4
	3.5 - 4.5	-	E4 102.193.2	E4 102.193.3	E4 102.193.4
103	3.0 - 6.2	E4 103.191.1	E4 103.191.2	E4 103.191.3	E4 103.191.4
1031	3.0 - 6.5	E4 1031.191.1	E4 1031.191.2	E4 1031.191.3	E4 1031.191.4
104	4.0 - 7.5	E4 104.191.1	E4 104.191.2	E4 104.191.3	E4 104.191.4
105	4.0 - 10.5	E4 105.191.1	E4 105.191.2	E4 105.191.3	E4 105.191.4

Series ¹⁾	Cable \varnothing Range	Bend Relief Color		
		Yellow	Red	Grey
102	1.5 - 3.4	E4 102.191.5	E4 102.191.6	E4 102.191.7
	3.5 - 4.5	E4 102.193.5	E4 102.193.6	E4 102.193.7
103	3.0 - 6.2	E4 103.191.5	E4 103.191.6	E4 103.191.7
1031	3.0 - 6.5	E4 1031.191.5	E4 1031.191.6	E4 1031.191.7
104	4.0 - 7.5	E4 104.191.5	E4 104.191.6	E4 104.191.7
105	4.0 - 10.5	E4 105.191.5	E4 105.191.6	E4 105.191.7

¹⁾ For the 102 Series cable bend beliefs are designed specifically for a given cable \varnothing range.
For other Series cable bend beliefs have to be cut to length L1, L2, L3 or L4 to fit your cable \varnothing range.

102 Series

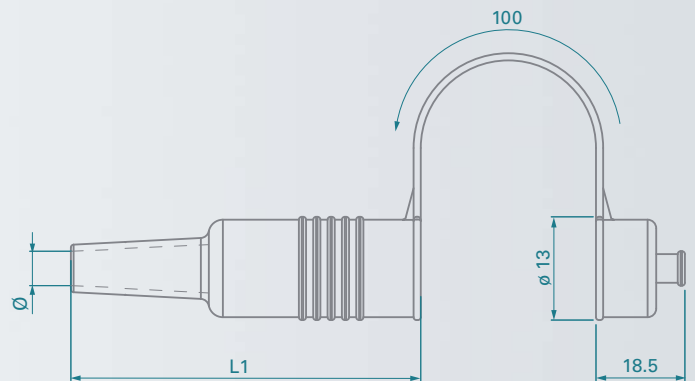
■ S, SC and SOV



Series	Cable Ø Range	L1	Part Number
102	1.8 - 4.5	56	102.785

Material - TPE (Thermoplastic elastomer)

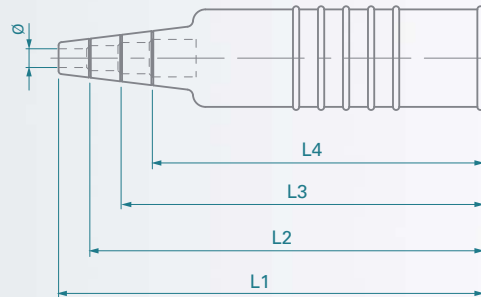
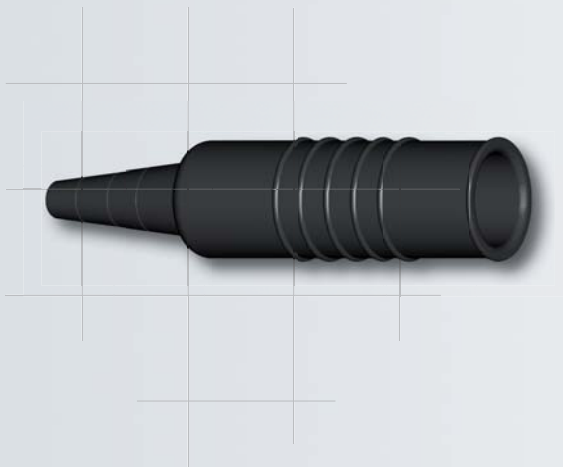
■ K and KE



Series	Cable Ø Range	L1	Part Number
102	1.8 - 4.5	47	102.786

Material - TPE (Thermoplastic elastomer)

103, 1031, 104, 105, 106 and 107 Series



■ S, SC and SOV

Series	Cable Ø Range	Length	Part Number
103	3.0 - 4.1	L1 = 68	103.861
	4.2 - 5.1	L2 = 63	
	5.2 - 6.1	L3 = 58	
	6.2 - 6.5	L4 = 53	

Series	Cable Ø Range	Length	Part Number
104	4.0 - 5.1	L1 = 83	104.861
	5.2 - 6.1	L2 = 76	
	6.2 - 7.1	L3 = 70	
	7.2 - 8.5	L4 = 63	

Series	Cable Ø Range	Length	Part Number
106	6.0 - 10.4	L1 = 123	106.226
	10.5 - 13.4	L2 = 112	
	13.5 - 16.4	L3 = 102	
	16.5 - 19.0	L4 = 92	

Series	Cable Ø Range	Length	Part Number
1031	3.0 - 4.1	L1 = 69	1031.855
	4.2 - 5.1	L2 = 64	
	5.2 - 6.1	L3 = 59	
	6.2 - 6.5	L4 = 54	

Series	Cable Ø Range	Length	Part Number
105	3.5 - 5.6	L1 = 104	105.1545
	5.7 - 7.6	L2 = 96	
	7.7 - 8.6	L3 = 88	
	8.7 - 10.5	L4 = 80	

Series	Cable Ø Range	Length	Part Number
107	7.0 - 10.4	L1 = 170	107.808
	10.5 - 13.4	L2 = 160	
	13.5 - 16.4	L3 = 150	
	16.5 - 19.4	L4 = 140	
	19.5 - 22.5	L4 = 130	

Material - TPE (Thermoplastic elastomer)

■ K and KE

Series	Cable Ø Range	Length	Part Number
103	3.0 - 4.1	L1 = 60	103.886
	4.2 - 5.1	L2 = 55	
	5.2 - 6.1	L3 = 50	
	6.2 - 6.5	L4 = 45	

Series	Cable Ø Range	Length	Part Number
104	4.0 - 5.1	L1 = 68	104.862
	5.2 - 6.1	L2 = 61	
	6.2 - 7.1	L3 = 55	
	7.2 - 8.5	L4 = 48	

Series	Cable Ø Range	Length	Part Number
106	6.0 - 10.4	L1 = 110	106.405
	10.5 - 13.4	L2 = 99	
	13.5 - 16.4	L3 = 89	
	16.5 - 19.0	L4 = 79	

Series	Cable Ø Range	Length	Part Number
1031	3.0 - 4.1	L1 = 61	1031.860
	4.2 - 5.1	L2 = 56	
	5.2 - 6.1	L3 = 51	
	6.2 - 6.5	L4 = 46	

Series	Cable Ø Range	Length	Part Number
105	3.5 - 5.6	L1 = 88	105.1546
	5.7 - 7.6	L2 = 80	
	7.7 - 8.6	L3 = 72	
	8.7 - 10.5	L4 = 64	

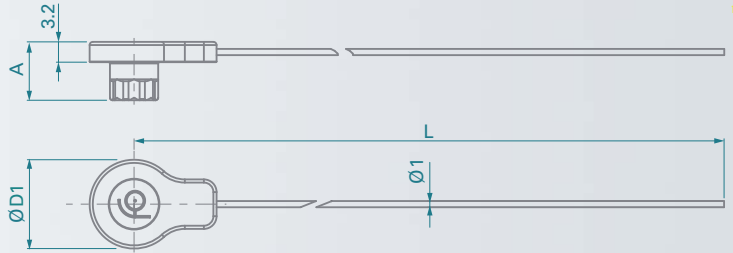
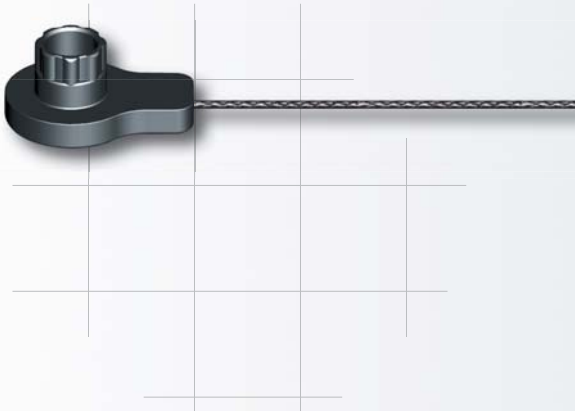
Series	Cable Ø Range	Length	Part Number
107	7.0 - 10.4	L1 = 146	107.809
	10.5 - 13.4	L2 = 136	
	13.5 - 16.4	L3 = 126	
	16.5 - 19.4	L4 = 116	
	19.5 - 22.5	L5 = 106	

Material - TPE (Thermoplastic elastomer)

These protective sleeves for straight cable plugs and cable receptacles have grooved cable bend reliefs which can be shortened according to cable diameters. The lengths of the protections and the corresponding cable diameters are listed above.

Lanyard with Nylon Thin Cord

■ For Receptacles



Accessories	Description	Part Number
	Crimp ferrule	300.637
	Crimp lug	300.299
	Heat shrink tube	300.930

Crimp ferrule, crimp lug and heat shrink tube have to be ordered separately.

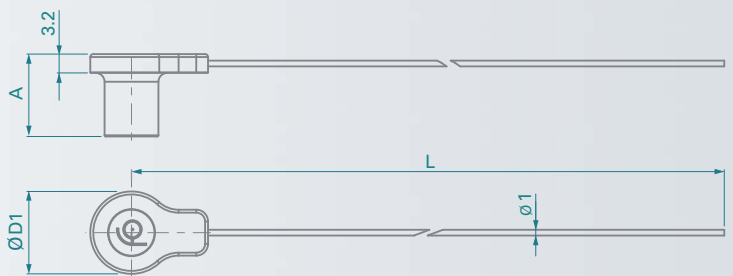
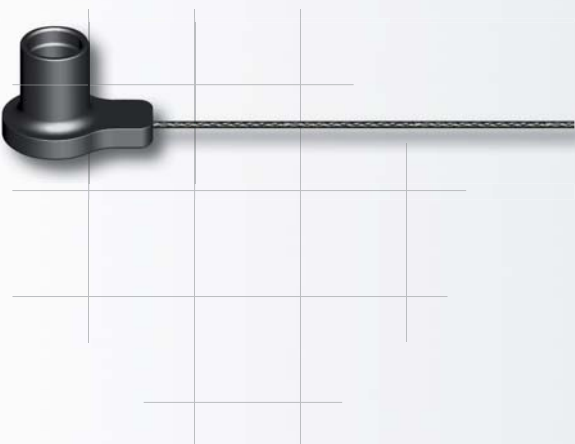
Series	A	D1	L	Part Number
102	9.2	14	200	102.2181
103	9.7	17	200	103.2406
1031	9.5	18	200	1031.1433
104	10.0	20	200	104.2808
105	10.0	23	200	105.3265

Material

Cap: Santoprene™ TPV 101-80

Cord: Nylon

■ For Plugs



Accessories	Description	Part Number
	Crimp ferrule	300.637
	Crimp lug	300.299
	Heat shrink tube	300.930

Crimp ferrule, crimp lug and heat shrink tube have to be ordered separately.

Series	A	D1	L	Part Number
102	14.0	14	200	102.2180
103	14.7	17	200	103.2405
1031	14.0	18	200	1031.1432
104	16.0	20	200	104.2807
105	19.0	23	200	105.3264

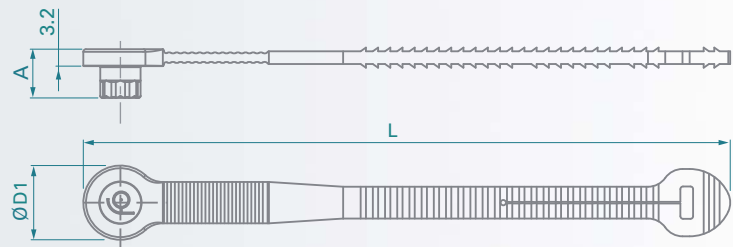
Material

Cap: Santoprene™ TPV 101-80

Cord: Nylon

Single-Piece

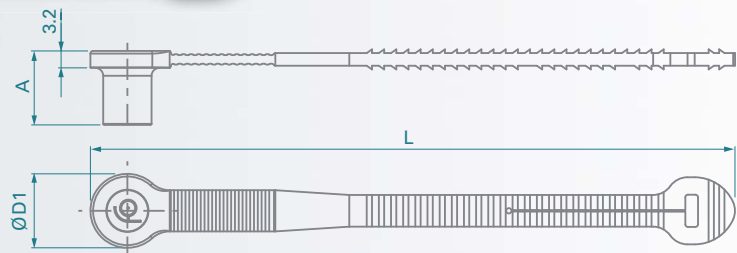
■ For Receptacles



Series	A	D1	L	Part Number
102	9.2	14	122	102.2166
103	9.7	17	147	103.2396
1031	9.5	18	148	1031.1422
104	10.0	20	164	104.2763
105	10.0	23	186	105.3250

Material - Santoprene™ TPV 101-80

■ For Plugs

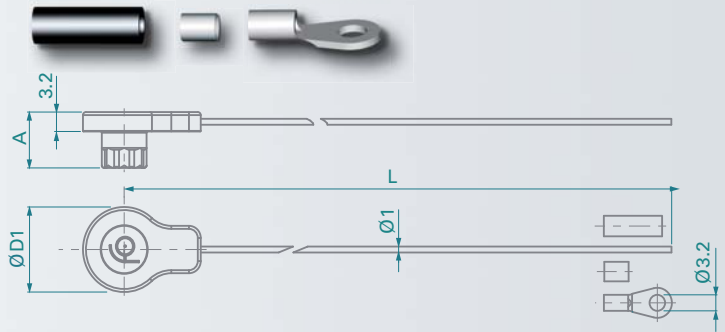


Series	A	D1	L	Part Number
102	14.0	14	122	102.2169
103	14.7	17	147	103.2399
1031	14.0	18	148	1031.1425
104	16.0	20	164	104.2766
105	19.0	23	186	105.3253

Material - Santoprene™ TPV 101-80

Lanyard with Stainless Steel Cable

■ For Receptacles



Crimp ferrule (300.922), crimp lug (300.299) and heat shrink tube (300.930) are included.

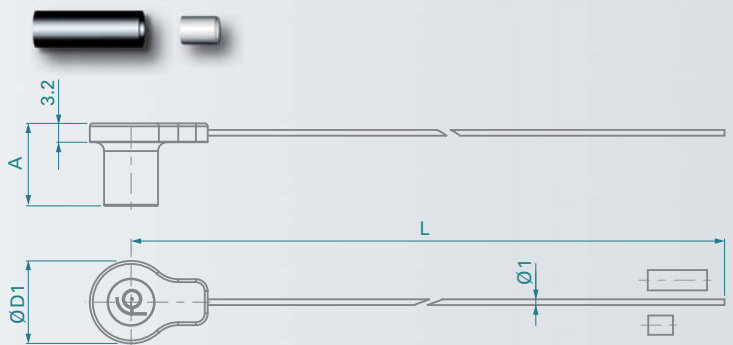
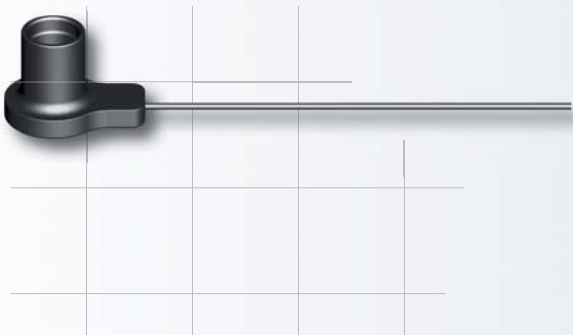
Series	A	D1	L	Part Number
102	9.2	14	200	102.2167
103	9.7	17	200	103.2397
1031	9.5	18	200	1031.1423
104	10.0	20	200	104.2764
105	10.0	23	200	105.3251

Material

Cap: Santoprene™ TPV 101-80

Cable: Stainless steel with FEP-Teflon® covering

■ For Plugs



Crimp ferrule (300.922) and heat shrink tube (300.930) are included.

Series	A	D1	L	Part Number
102	14.0	14	200	102.2185
103	14.7	17	200	103.2404
1031	14.0	18	200	1031.1431
104	16.0	20	200	104.2806
105	19.0	23	200	105.3263

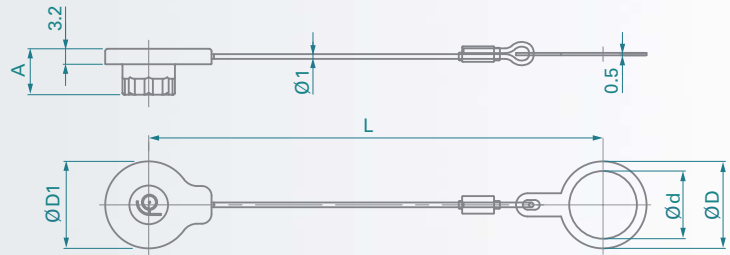
Material

Cap: Santoprene™ TPV 101-80

Cable: Stainless steel with FEP-Teflon® covering

Assembled Lanyard with Stainless Steel Cable

■ For Panel Mounted Receptacles



Crimp ferrule, heat shrink tube and fixing lug are included and mounted.

Series	A	D1	L	d	D	Part Number
102	9.2	14	86	9	13	102.2182
	9.2	14	86	10	14	102.2165
103	9.7	17	93	14	18	103.2394
1031	9.5	18	94	14	18	1031.1434
	9.5	18	94	15	20	1031.1420
104	10.0	20	98	16	21	104.2761
105	10.0	23	100	20	25	105.3248

Material

Cap: Santoprene™ TPV 101-80

Cable: Stainless steel with FEP-Teflon® covering

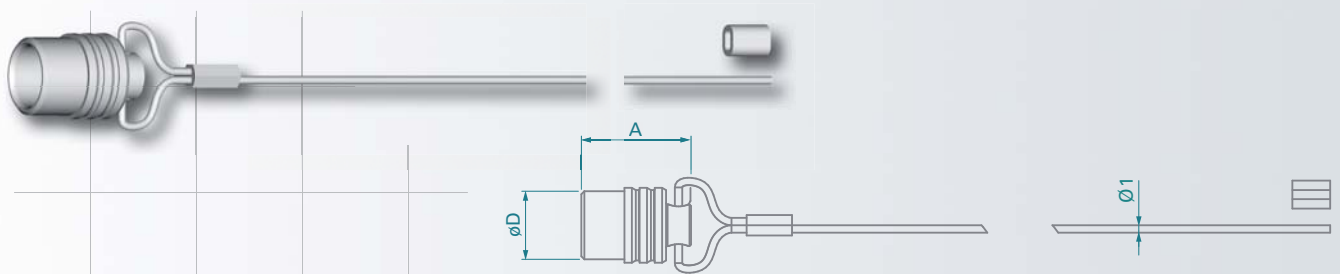
Fixing lug: Black chrome plated brass (ISO CuZn39Pb3)



Caps are intermateable to provide additional dust protection.



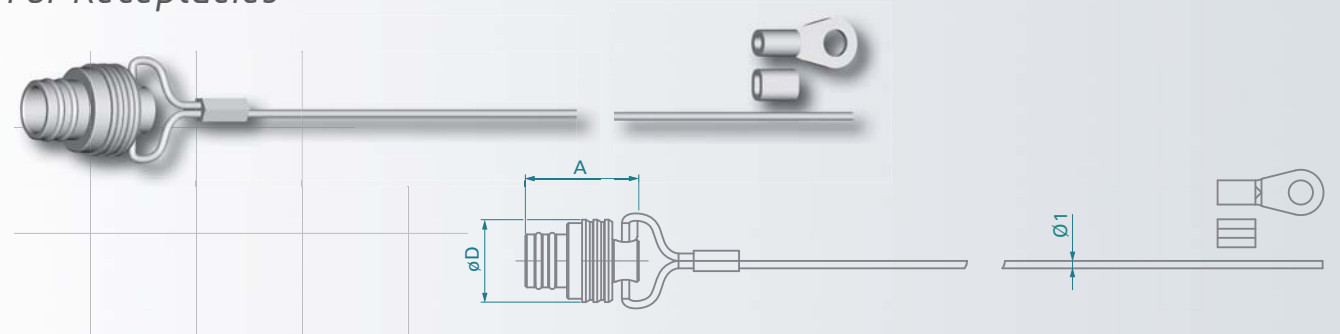
■ For Plugs



Series	Part number		O-ring Material	Caps		Stainless-Steel Cable		Crimp Ferrule
	Natural Chrome ¹⁾	Black Chrome ²⁾		A	D	Length	Covering Material	Part Number
102	102.1948	102.1952	FPM - Viton®	14.5	10	100	FEP - Teflon®	300.922
103	103.2274	103.2277		21.0	14	100		
1031	1031.825	1031.827		20.0	15	100		
104	104.715	104.717		21.0	15	150		
105	105.3002	105.3006		29.0	20	150		
106	106.813	106.815		37.0	33	250		
107	107.2312	107.2314		42.0	38	300		

Material - Cap: Natural or Black chrome plated brass (ISO CuZn39Pb3) – Crimp ferrule: Aluminium

■ For Receptacles



Series	Part number		O-ring Material	Caps		Stainless-Steel Cable		Crimp Ferrule	Crimp Lug
	Natural Chrome ¹⁾	Black Chrome ²⁾		A	D	Length	Covering Material	Part Number	Part Number
102	102.1947	102.1951	NBR	15.0	11	100	FEP - Teflon®	300.922	300.299
103	103.2273	103.2276		15.0	13	100			
1031	1031.824	1031.826		17.0	15	100			
104	104.714	104.716		17.5	16	150			
105	105.3001	105.3005		21.0	19	150			
106	106.812	106.814		24.0	31	250			
107	107.2311	107.2313		26.0	36	300			

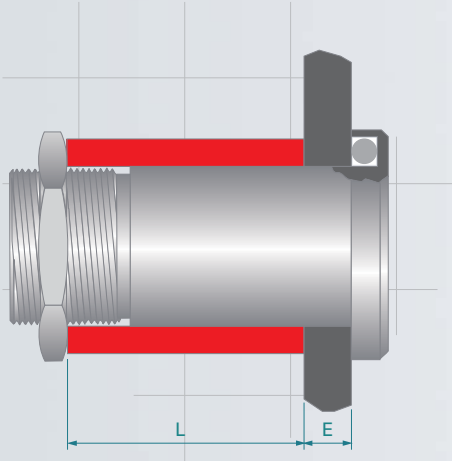
Material - Cap: Natural or Black chrome plated brass (ISO CuZn39Pb3) – Crimp ferrule: Aluminium – Crimp lug: Tin plated copper

These metal caps are fitted with an O-ring seal. They protect the mating face of the plugs and receptacles. To attach the ferrule or the crimp lug to the stainless-steel cable, use a crimp tool, a vice or a pair of pliers with parallel jaws. See page 12-2 for recommended crimping tool for ferrule.

¹⁾Assembled with natural plastic covered stainless steel cable.

²⁾Assembled with black plastic covered stainless steel cable.

■ Spacers for WDE

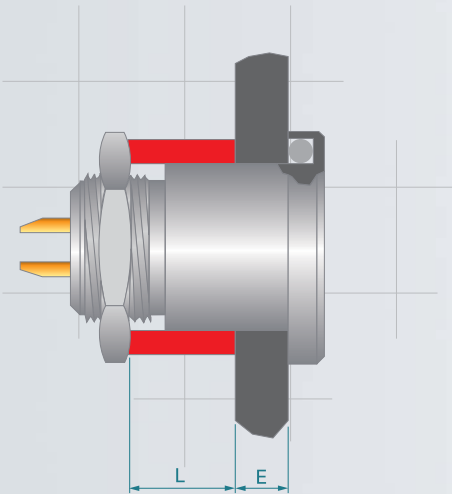


Series	E	L	Part Number
106	0.5 - 8.5	30.0	106.560
	8.0 - 16.0	22.5	106.561
	15.5 - 23.5	15.0	106.562
	23.0 - 31.0	7.5	106.563

Material - Aluminum

Series	E	L	Part Number
107	2.0 - 5.5	18.5	107.556
	5.0 - 8.5	15.5	107.557
	8.0 - 11.5	12.5	107.558
	11.0 - 14.5	9.5	107.559
	14.0 - 17.5	6.5	107.560
	17.0 - 20.5	3.5	107.561

■ Spacers for DEE, DEU and DKE¹⁾



Series	E	L	Part Number
102	0.5 - 3.0	8.5	102.550
	2.5 - 5.5	6.0	102.551
	5.0 - 8.0	3.5	102.552

Series	E	L	Part Number
104	0.5 - 3.0	8.5	104.550
	2.5 - 5.5	6.0	104.551
	5.0 - 8.0	3.5	104.552

Series	E	L	Part Number
106	0.5 - 5.5	19.0	106.550
	5.0 - 10.0	14.5	106.551
	9.5 - 14.5	10.0	106.552
	14.0 - 19.0	5.5	106.553

Material - Aluminum

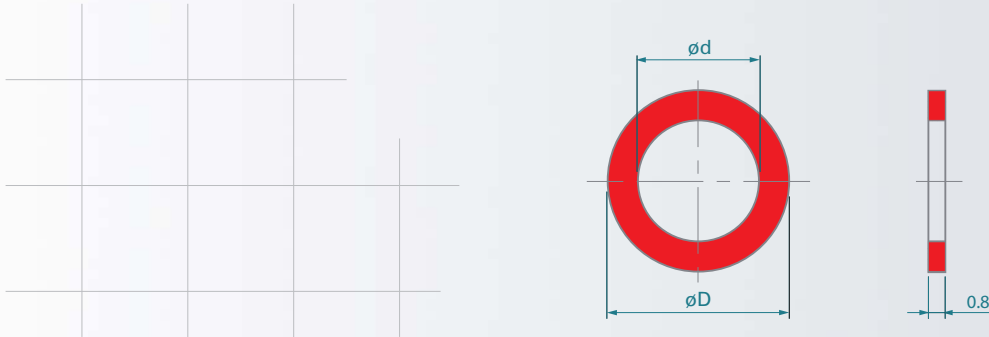
Series	E	L	Part Number
103 1031	0.5 - 3.0	8.5	103.550
	2.5 - 5.5	6.0	103.551
	5.0 - 8.0	3.5	103.552

Series	E	L	Part Number
105	0.5 - 5.0	12.0	105.1121
	3.5 - 8.5	8.5	105.1122
	7.0 - 12.0	5.0	105.1123

Series	E	L	Part Number
107	1.0 - 4.0	18.5	107.556
	4.0 - 7.0	15.5	107.557
	7.0 - 10.0	12.5	107.558
	10.0 - 13.0	9.5	107.559
	13.0 - 16.0	6.5	107.560
	16.0 - 19.0	3.5	107.561

¹⁾ Spacers are useful and available for DKE only in 102 and 103 Series.

■ Color Coding Washers for D, DB, DBP, DBPC, DG, DGP, DK and SF



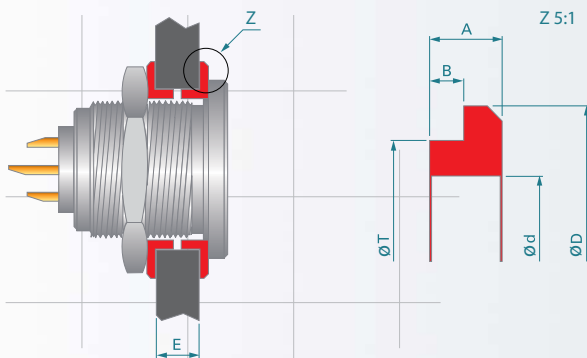
Series	D	d	Color						
			White	Black	Green	Blue	Yellow	Red	Grey
102	14.5	9	102.681	102.682	102.683	102.684	102.685	102.686	102.687
103	18.0	12	103.781	103.782	103.783	103.784	103.785	103.786	103.787
1031	20.0	14	1031.781	1031.782	1031.783	1031.784	1031.785	1031.786	1031.787
104 ¹⁾	23.0	15	104.981	104.982	104.983	104.984	104.985	104.986	104.987
105 ²⁾	26.0	18	105.2281	105.2282	105.2283	105.2284	105.2285	105.2286	105.2287

¹⁾The connector style DB 104 requires an inner diameter $d = 16$ mm

²⁾The connector style SF 105 requires an inner diameter $d = 16$ mm

Material - PP (Polypropylene)

■ Insulating - Color Coding Washers for D Receptacles



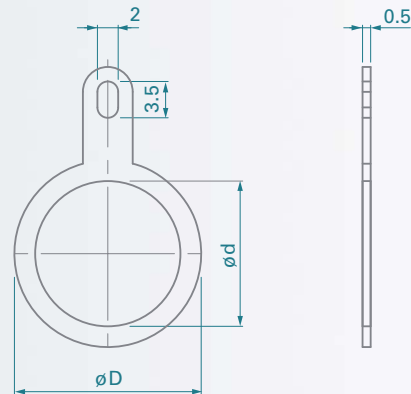
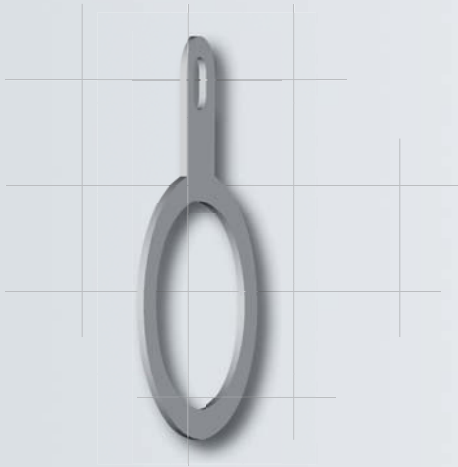
Series	D	d	T	A	B	E min/max	Color						
							White	Black	Green	Blue	Yellow	Red	Grey
102	12	9	10.6	1.5	0.6	1.3 / 6.5	102.791	102.792	102.793	102.794	102.795	102.796	102.797
103	15	12	13.9	2.0	1.0	2.1 / 5.0	103.382	103.383	-	-	-	-	-
104	19	15	17.0	2.0	1.0	2.1 / 8.5	-	104.377	-	-	-	-	-

Material

102 Series: ABS (Acrylonitrile butadiene styrene)

103, 104 Series: POM (Polyoxymethylene) Delrin®

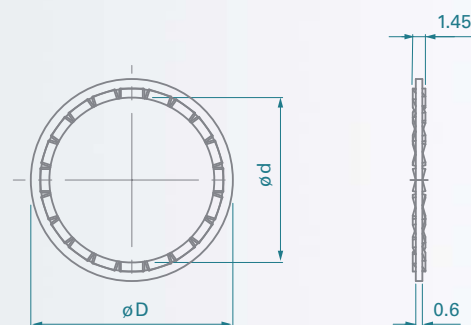
■ Grounding Washers for Panel Connectors



Series	d	D	Part Number
102	9	13	102.680
	10	14	102.679
103	12	16	103.385
1031	14	18	1031.315
104	15	20	104.680
	16	21	104.679
105	18	23	105.680
	20	25	105.679

Material - Copper and tin plated brass (ISO CuZn37)

■ Locking Washers for Panel Connectors



d	D	Part Number
9	12.0	300.874
12	15.0	300.875
14	17.5	300.876
15	18.5	300.877

d	D	Part Number
16	20	300.878
18	23	300.879
20	26	300.880
25	33	1052.338

Material - Copper and tin plated brass (ISO CuZn37)

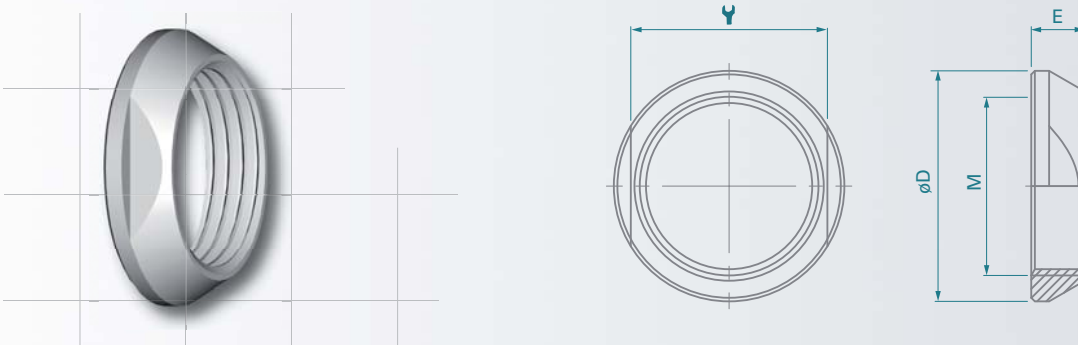
■ *Decorative Slotted Nuts for DBP, DBPC, DBPE, DBPU, DG and DGP*



Thread Size	D	E	Part Number		Assembly Tool ➔
			Natural Chrome	Black Chrome	
M 9x0.5	12	3	102.1417	102.1571	TC00.000
M 10x0.5	13	3	102.2207	102.2206	TC00.007
M 12x1	15	4	103.597	103.1993	TF00.001
M 14x1	18	4	1031.541	1031.542	TG00.001
M 15x1	19	4	104.697	104.698	TK00.000
M 16x1	20	4	104.1729	104.1643	TK00.002
M 18x1	23	5	105.1901	105.2084	TP00.011
M 20x1	25	5	105.2018	105.2085	TP00.005

Material - Nickel and chromium plated brass (ISO CuZn39Pb3)

■ *Decorative Nuts for DKBE, DBPLU/E and SFPU/E*



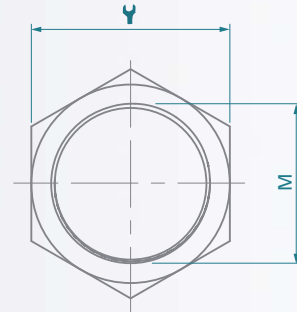
Thread Size	D	E	Part Number		Nut Across Flats
			Natural Chrome	Black Chrome	
M 9x0.5	12	3.0	102.1290	102.1291	10
M 10x0.5	13	3.0	102.2145	102.2146	11
M 12x1	16	3.5	102.1989	102.1990	13
M 14x1	18	4.0	1031.1371	1031.1372	15
M 15x1	20	4.0	103.2294	103.2295	17
M 16x1	20	4.0	1031.1350	1031.1351	17

Thread Size	D	E	Part Number		Nut Across Flats
			Natural Chrome	Black Chrome	
M 18x1	23	4.5	104.2585	104.2586	20
M 20x1	25	4.5	105.3226	105.3227	22
M 22x1	27	4.5	105.3037	105.3038	24
M 34x1	40	5.5	106.1604	106.1605	36
M 38x1	45	6.0	107.2333	107.2334	40

Material - Nickel and chromium plated brass (ISO CuZn39Pb3)

Other receptacle and decorative nut combinations are available on request.

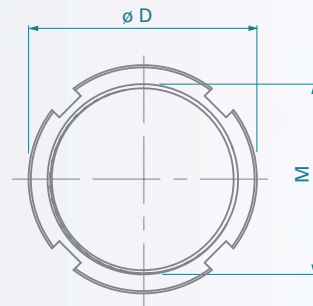
■ Hex Nuts



Thread Size	E	Part Number	Nut Across Flats	Assembly Tool
M 9 x0.5	3	102.395	11	TX00.011
M 9 x0.5	2	102.1697	11	TX00.011
M 12x1	3	103.395	14	TX00.014
M 14 x1	3	103.580	17	TX00.017
M 15 x1	3	104.392	17	TX00.017
M 16 x1	3	104.595	19	TX00.019
M 18 x1	3	105.257	22	TX00.022
M 20 x1	4	105.724	25	TX00.025

Material - Nickel plated brass (ISO CuZn39Pb3)

■ Slotted Nuts



Thread Size	D	E	Part Number	Assembly Tool
M 30 x1	36	6	106.395	TX00.106
M 32 x1	38	6	106.397	TX00.106
M 35 x1	40	9	107.395	TX00.107
M 36 x1	42	9	107.397	TX00.107

Material - Nickel plated brass (ISO CuZn39Pb3)

Slotted nuts are supplied with all panel mounted connectors of the 106 and 107 Series.

